

Specification

Radial Blower U97HL-024KK-4



General Information

Item

Product type	Radial blower with integrated electronic
Part no.	U97HL-024KK-4
Customer	N/A
Project no.	N/A
Modification	Standard product

Description

This versatile 24 V_{DC} blower incorporates a brushless driver with set-speed input and tacho output.



SWISS
ENGINEERED



Features

- Static pressure: 17 hPa, freeflow: 800 l/min
- 24 V_{DC} brushless DC-motor
- Speed control and tacho frequency signal
- Mounting holes

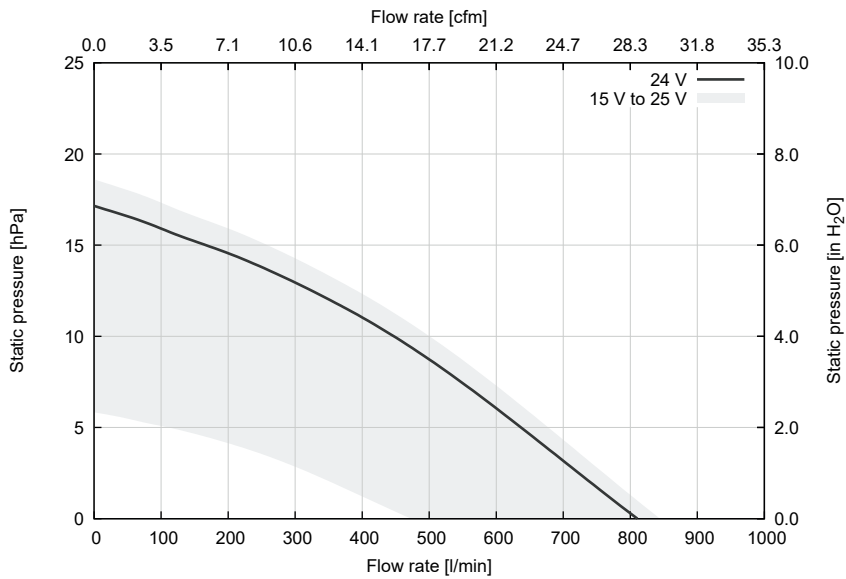


General Conditions

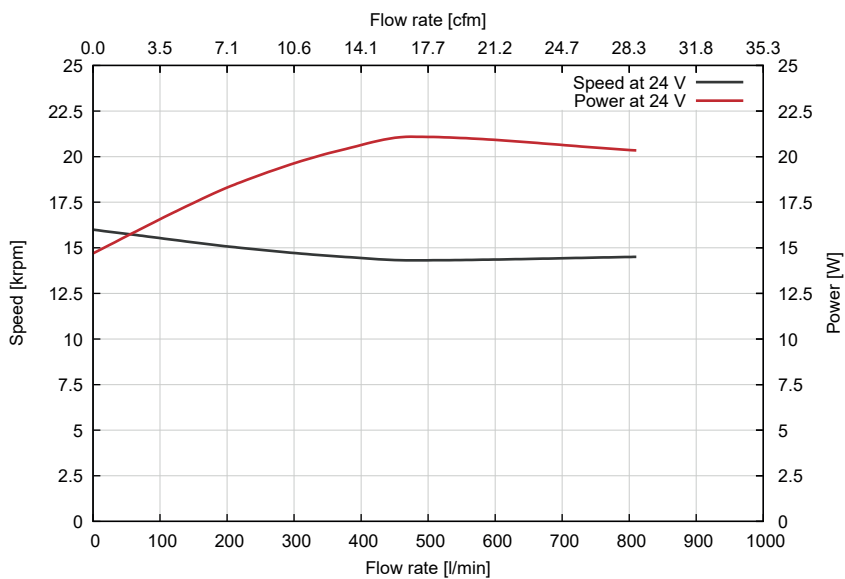
Unless otherwise stated all data are measured at nominal voltage and are valid at 20 °C ambient temperature and 1.2 kg/m³ standard air density. Values listed are nominal and can vary depending on the installation conditions and due to component tolerances. Test setup according to ISO 5801 with standardized inlet and outlet chambers. Tolerances based on specified speed data according to ISO 13348, grade 4: pressure +/-10 %, power +16 %. Tolerances based on constant voltage: speed +/-10 %, pressure +/-21 %, power +33 %. For continuous blower operation please refer to specified maximum ratings. Performance data outside normal operating range plotted for information only.

Performance

Pressure vs. Flow Characteristics



Speed and Power vs. Flow Characteristics



Shut-Off in Pressure Operation (Zero Flow Rate)

	Unit	Value
Static pressure	[hPa]	17
Power consumption	[W]	16
Speed	[rpm]	16000

Shut-Off in Vacuum Operation (Zero Flow Rate)

Static pressure	[hPa]	17
Power consumption	[W]	16
Speed	[rpm]	15500

Free-Air (Zero Static Pressure)

Flow rate	[l/min]	800
Power consumption	[W]	22
Speed	[rpm]	14600

Technical Data

Electrical	Unit	Value
Nominal supply voltage	[V _{DC}]	24
Supply voltage range	[V _{DC}]	15 to 25
Minimum power supply current ⁽¹⁾	[A]	1
Maximum start-up time	[s]	1
Maximum ripple voltage	[%]	5

Maximum Ratings for Continuous Operation

Minimum flow rate ⁽²⁾	[l/min]	0
Maximum speed	[rpm]	17 000
Maximum acceleration	[rpm/ms]	N/A
Maximum power consumption	[W]	24
Maximum housing surface temperature	[°C]	70
Maximum NTC temperature	[°C]	N/A

Environmental

Ambient temperature (operating)	[°C]	-20 to 45
Ambient temperature (storage)	[°C]	-20 to 65
Relative humidity (non-condensing)	[%RH]	10 to 85
Ingress protection (EN60529)		IP40
Maximum oxygen concentration	[%]	21

Motor

Type		Brushless direct current motor
Winding insulation class		H, 180 °C
NTC type		N/A

Lifetime

L10 at 25 °C ambient temperature ⁽³⁾	[h]	10 000
---	-----	--------

Acoustics

Sound pressure level ⁽⁴⁾	[dB(A)]	N/A
-------------------------------------	---------	-----

Leak Tightness

Maximum leak flow rate	[l/min]	N/A
------------------------	---------	-----

Mechanical

Blower weight	[g]	140
---------------	-----	-----

⁽¹⁾ Recommended minimum continuous power supply current for proper start-up behavior at nominal voltage. This is an indicative value. Power supply dimensioning, wiring, safety, setup and validation is the customer's responsibility.

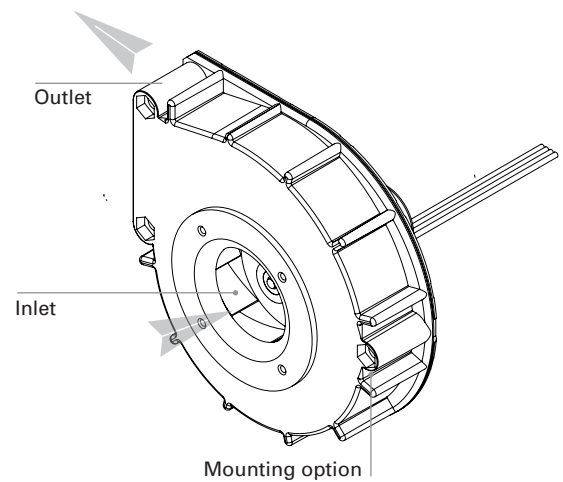
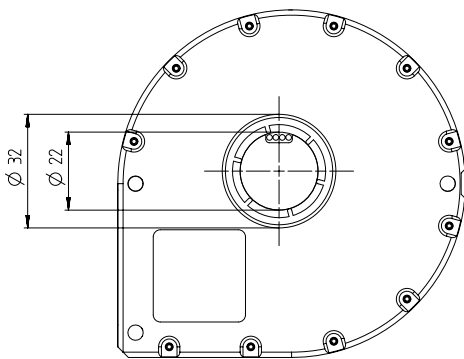
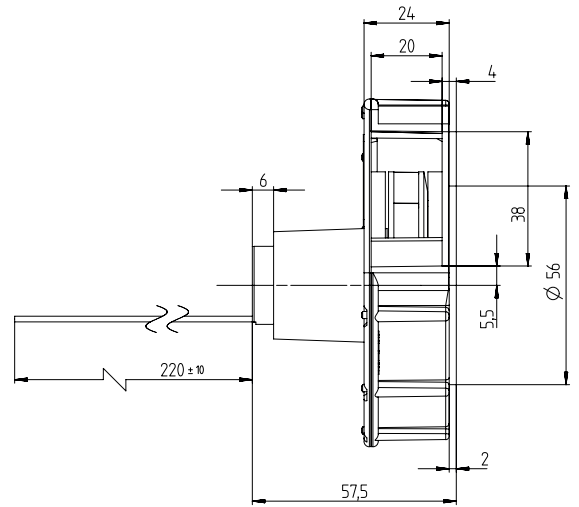
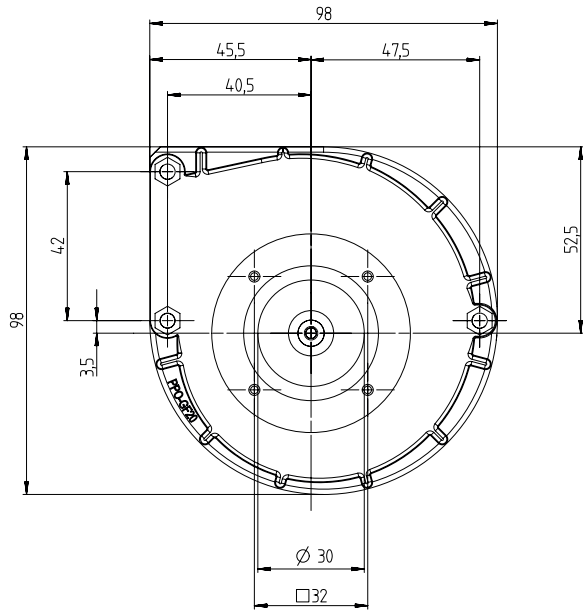
⁽²⁾ Only legitimate when there is an inlet flow to cool the motor.

⁽³⁾ Accelerated aging test at 45 °C ambient temperature, continuous operation, normal cleanliness according to ISO 281. Temperature dependency of lifetime according to IPC-9591: factor 1.5 per 10 °C.


⁽⁴⁾ Measured at distance of 1 meter from inlet, with hose connected to inlet and outlet.

Drawings

Dimensions in mm



Orientations

Direction of rotation	 Counter-clockwise (view on inlet)
Mounting position	Any direction

Materials

Components	Material
Blower housing	Polyphenylenoxide (PPO)
Impeller	Polysulfone (PSU)
Hub	N/A
Motor housing	N/A
Label	Plastic
Connector	N/A
Crimp terminal	N/A
Lead wire	Silicone insulated cable Flammability: UL 3239

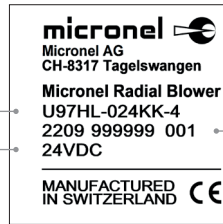
Identification

Label

Design

Part number

Nominal voltage



Identification number:

- Year, calendar week (YYWW)
- Fabrication number (6 digits)
- Serial number (3 digits)

Blower Pinout

Color	Description	AWG
Red	V_{CC}	24
Black	GND	24
Yellow	Tachometer output	26
Green	Set speed input	26

Electronic Functions

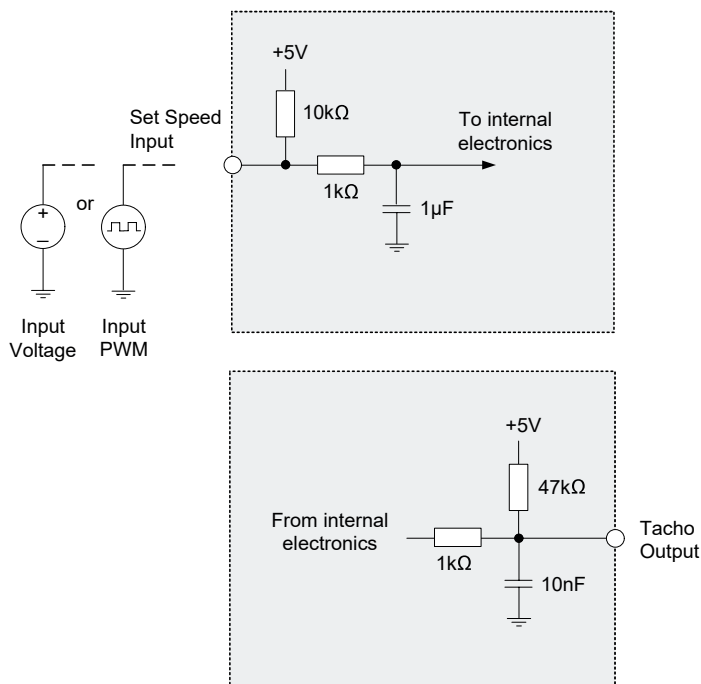
Integrated Electronic Motor Driver

Type

Sensored brushless direct current motor driver

Features

- Integrated speed control (PWM / voltage / resistor)
- Tachometer frequency signal
- Locked rotor protection
- Over current protection



Speed Control Input

The blower speed can be controlled by PWM. See „Set Speed Input“ table for further details.

Tachometer Output

Tachometer frequency:
1 pulse per revolution

$$n = 60 \cdot f$$

n Rotation speed [rpm]

f Tacho frequency [Hz]

Electronic Functions

Set Speed Input Voltage [V_{DC}]	Operation Mode
Set speed not connected	Blower speed at 100 %
Set speed to ground	Stop
0.0	Stop
0.1 to 0.9	Not defined, blower might run or stop
1.0	Minimum start-up
1.0 to 4.5	Blower speed depending on input voltage
4.5 to 5.0	Blower speed at 100 %

Set Speed Input PMW [%]	Operation Mode
Set speed not connected	Blower speed at 100 %
Set speed to ground	Stop
0.0	Stop
0.1 to 9.0	Not defined, blower might run or stop
10.0	Minimum start-up
10.0 to 90.0	Blower speed depends on duty cycle
90.0 to 100.0	Blower speed at 100 %

Frequency 10 kHz – 60 kHz; (typical 10 kHz)
 5 V_{DC} PWM Voltage (high signal)



Handle in power-off conditions only!
 Read operating manual!



Please see separate accessories list or contact
 Micronel Sales for a full list of options and
 accessories.

All data are subject to change without advanced notice.
 © 2023 by Micronel AG. All rights reserved.