

Specification

Tube Fan D341P-012KM-4



General Information

Item

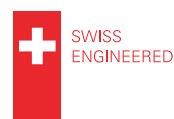
Product type	Tube fan with integrated electronic motor driver
Part no.	D341P-012KM-4 D343P-012KM-4 with flange at outlet (option) D344P-012KM-4 with flange at inlet (option)
Customer	N/A
Project no.	N/A
Modification	Standard product

Description

In contrast to the Flat Fans, the Micronel Tube Fans offer increased pressure performance while still maintaining a high volume flow. They all feature extremely quiet and efficient operation while offering extreme reliability and life expectancy.

Features

- Static pressure 6.41 hPa, freeflow 480 l/min
- 12 V_{DC} brushless DC-motor
- Speed control and tacho frequency signal
- Small dimensions through slim design
- Options for mounting flange with holes

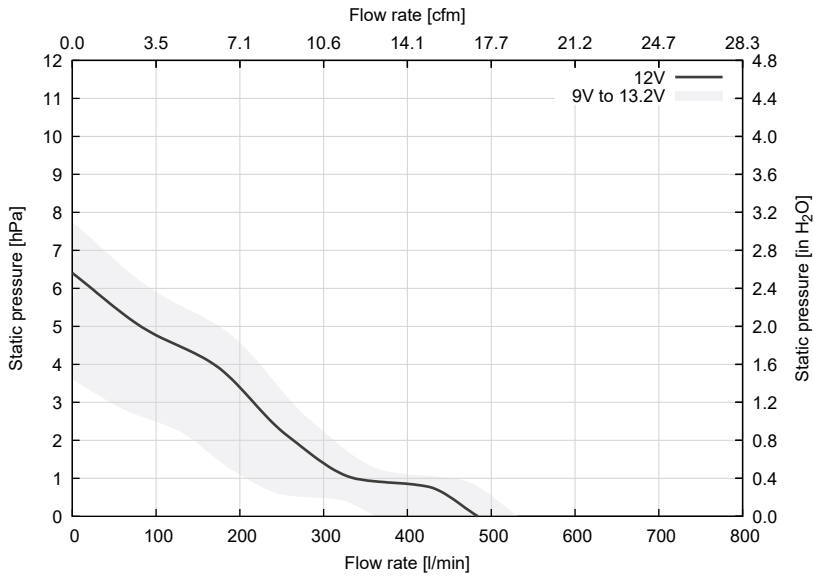


General Conditions

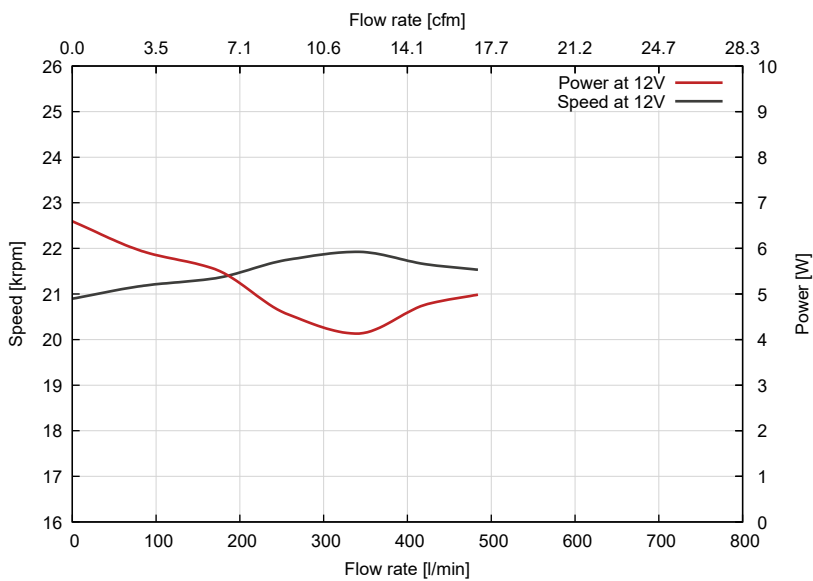
Unless otherwise stated all data are measured at nominal voltage and are valid at 20 °C ambient temperature and 1.2 kg/m³ standard air density. Values listed are nominal and can vary depending on the installation conditions and due to component tolerances. Test setup according to ISO 5801 with standardized inlet and outlet chambers. Tolerances based on specified speed data according to ISO 13348, grade 4: pressure +/-10 %, power +16 %. Tolerances based on constant voltage: speed +/-10 %, pressure +/-21 %, power +33 %. For continuous blower operation please refer to specified maximum ratings. Performance data outside normal operating range plotted for information only.

Performance

Pressure vs. Flow Characteristics



Speed and Power vs. Flow Characteristics



Shut-Off in Pressure Operation (Zero Flow Rate)

	Unit	Value
Static pressure	[hPa]	6.41
Power consumption	[W]	6.53
Speed	[rpm]	20900

Free-Air (Zero Static Pressure)

Flow rate	[l/min]	480
Power consumption	[W]	4.97
Speed	[rpm]	21550

Technical Data

Electrical	Unit	Value
Nominal supply voltage	[VDC]	12
Supply voltage range	[VDC]	9 to 13.2
Minimum power supply current ⁽¹⁾	[mA]	700
Maximum start-up time	[s]	4.5
Maximum ripple voltage	[%]	5

Maximum Ratings for Continuous Operation

Minimum flow rate	[l/min]	N/A
Maximum speed	[rpm]	N/A
Maximum acceleration	[rpm/ms]	N/A
Maximum power consumption	[W]	N/A
Maximum housing surface temperature	[°C]	N/A
Maximum NTC temperature	[°C]	N/A

Environmental

Ambient temperature (operating)	[°C]	-20 to 65
Ambient temperature (storage)	[°C]	-20 to 65
Relative humidity (non-condensing)	[%RH]	10 to 85
Ingress protection (EN60529)		IP40
Maximum oxygen concentration ⁽²⁾	[%]	21

Motor

Type		Brushless direct current motor
Winding insulation class		H, 180 °C
NTC type		N/A

Lifetime

L10 at 25 °C ambient temperature ⁽³⁾	[h]	20 000
---	-----	--------

Acoustics

Sound pressure level ⁽⁴⁾	[dB(A)]	60.7
-------------------------------------	---------	------

Leak Tightness

Maximum leak flow rate	[l/min]	N/A
------------------------	---------	-----

Mechanical

Blower weight	[g]	43
---------------	-----	----

⁽¹⁾ Recommended minimum continuous power supply current for proper start-up behavior at nominal voltage. This is an indicative value. Power supply dimensioning, wiring, safety, setup and validation is the customer's responsibility.

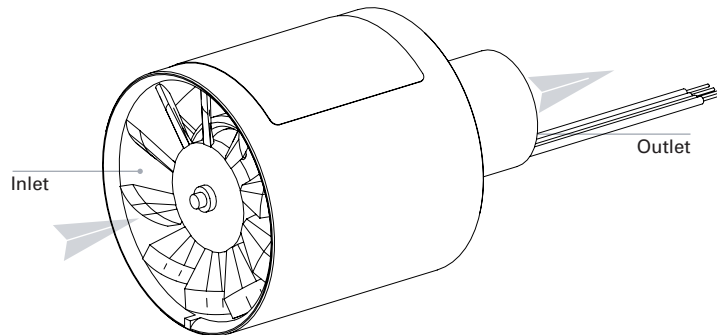
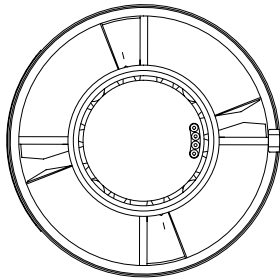
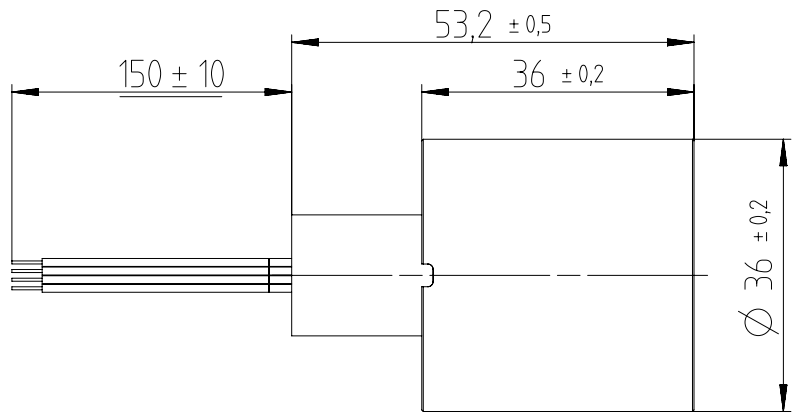
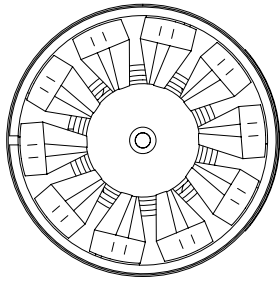
⁽²⁾ Micronel fans are designed for various levels of oxygen compatibility. Further information available on request.

⁽³⁾ Accelerated aging test at 45 °C ambient temperature, operation cycle 11.5 h ON, 0.5 h OFF, normal cleanliness according to ISO 281. Temperature dependency of lifetime according to IPC-9591: factor 1.5 per 10 °C.

⁽⁴⁾ Measured at distance of 1 meter from inlet, with open inlet and outlet.

Drawings

Dimensions in mm



Orientations

Direction of rotation

↻ Clockwise (view on inlet)

Mounting position

Any direction

Materials

Components

Material

Fan housing

Polyphenylenoxide (PPO)
Flammability: UL 94V-1

Impeller

Polyphenylenoxide (PPO)
Flammability: UL 94V-1

Hub

-

Motor housing

-

Label

Plastic (26 x 26 mm)
Flammability: UL 969

Connector

-

Crimp terminal

-

Lead wire

Silicone insulated cable
Flammability: UL 3239

Identification

Label

Design

Part number	micronel Micronel AG CH-8317 Tagelswangen Micronel Tube Fan D341P-012KM-4 2331 999999 001
Nominal voltage	12VDC

Identification number:

- Year, calendar week (YYWW)
- Fabrication number (6 digits)
- Serial number (3 digits)

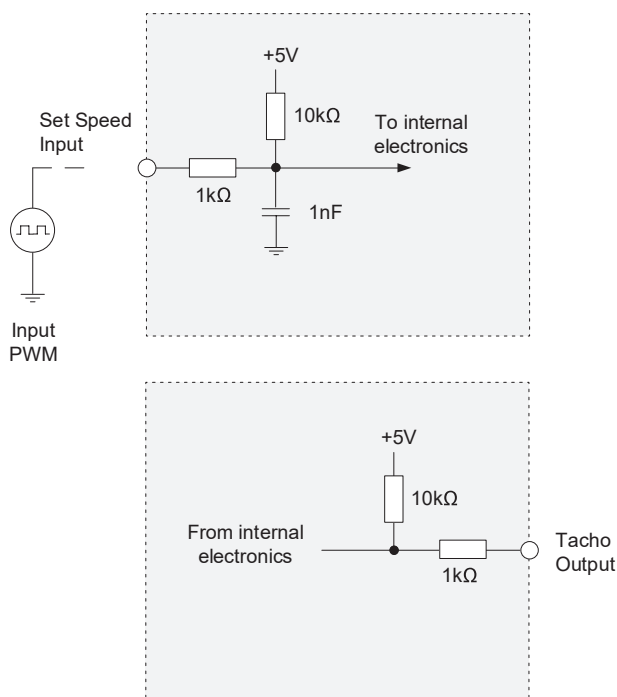
Blower Pinout

Pin	Color	Description	AWG
-	Red	V _{CC}	28
-	Black	GND	28
-	Yellow	Tachometer output	28
-	Green	Set speed input	28

Electronic Functions

Integrated Electronic Motor Driver

Type	Sensorless brushless direct current motor driver
Features	<ul style="list-style-type: none"> • Integrated speed control (PWM) • Tachometer frequency signal • Locked rotor protection • Over current protection



Speed Control Input

The blower speed can be controlled by PWM. See „Set Speed Input“ table for further details.

Tachometer Output

Tachometer frequency:

1 pulse per revolution

$$n = 60 \cdot f$$

n Rotation speed [rpm]

f Tacho frequency [Hz]

Electronic Functions

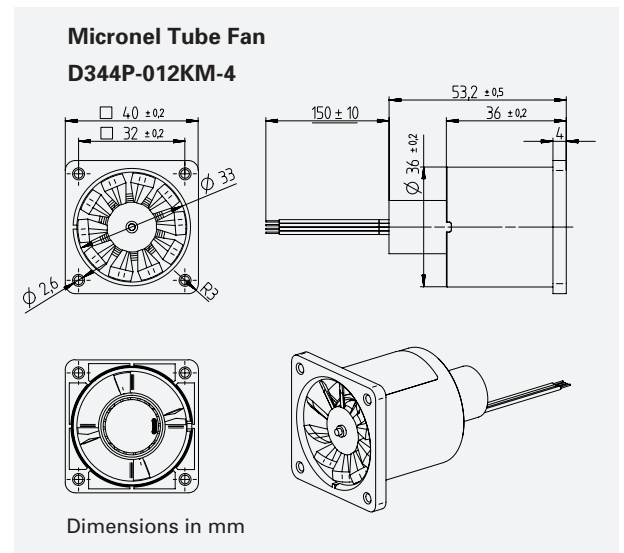
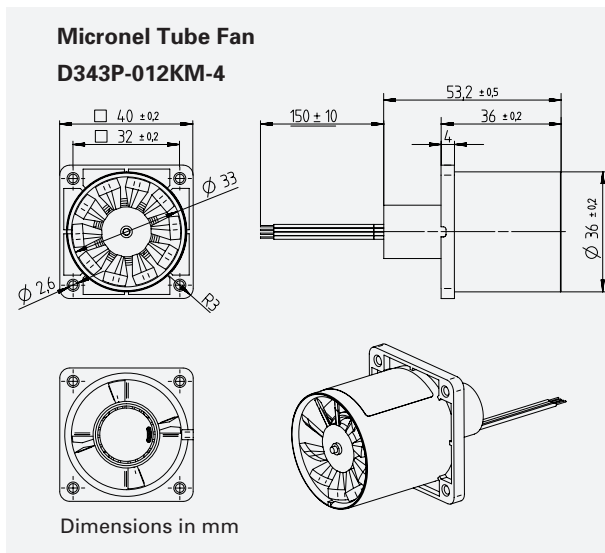
Set Speed Input PWM [%]	Operation Mode
Set speed not connected	Fan speed at 100 %
0.0	Stop
0.2 to 5.0	Not defined, fan might run or stop
6.0	Minimum start-up
6.0 to 100.0 (after start-up)	Fan speed depending on duty cycle

Frequency 15 kHz – 25 kHz; (TYP 20 kHz)

Options for Mounting

Product no. with options	Flange Inlet	Flange Outlet
Micronel Tube Fan D341P-012KM-4		
Micronel Tube Fan D343P-012KM-4*		●
Micronel Tube Fan D344P-012KM-4*	●	

* The drawings show versions of flange.



Handle in power-off conditions only!
Read operating manual!



Please see separate accessories list or contact
Micronel Sales for a full list of options and
accessories.

All data are subject to change without advanced notice.
© 2023 by Micronel AG. All rights reserved.